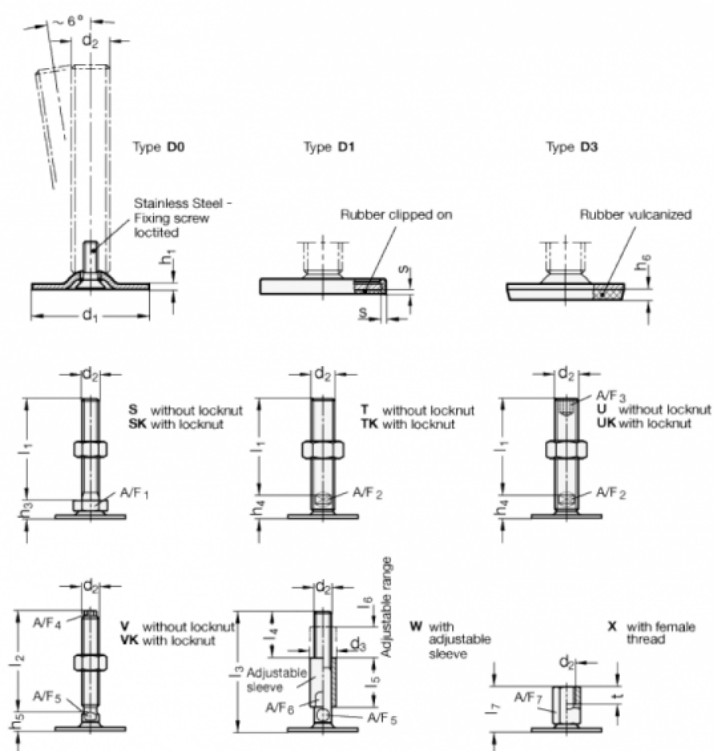


Article number: 204150M1050D1SK
 Description: E+G levelling foot
 GN 41-50-M10-50-D1-SK
 Note: SK With nut, External hexagon at the bottom

Measures



A/F1 = 17
 d_1 = 50
 d_2 = M10
 h_1 = 2.5
 h_3 = 11
 h_6 =
 h_7 = 50
 s = 2